

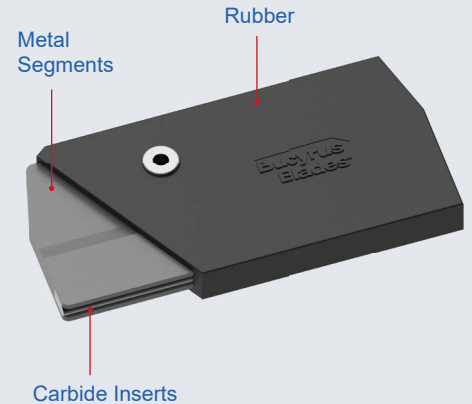
Introducing FlexPro™ Snow Plow Blades

WEAR

ESCO®



Superior design for improved wear life and strength



ESCO is pleased to announce FlexPro snow plow blades

ESCO has added the FlexPro system to the Bucyrus Blades snow plow blade offering. Developed as a direct replacement for the JOMA® system, FlexPro snow plow blades provide outstanding snow removal while protecting roadways and plowing equipment from unnecessary damage. The FlexPro system features tungsten carbide inserted blades encased in specially formulated rubber that absorbs impact, reduces damaging vibration and minimizes damage to highway markings. Bucyrus Blades products are recognized for exceptional quality and performance.

- Offered in 914mm / 36in and 1219mm / 48in
- Offering includes all system components and accessories
- Used throughout North America in the most severe winter conditions
- Precision carbide brazing technology

Tungsten carbide is one of the more abrasion resistant materials in the world, excellent for long runs and high speed. FlexPro snow plow blades are the best choice for major highways and airport runways and is designed to maintain a clean, sharp cutting edge.

Reduced vibration and noise

- Quieter cab for the operator
- Reduces structural failures on the truck and plow

Longer wear life

- Designed to match varying road shapes and curve
- Minimizes highway marker damage

Carbide inserted product benefits

- Can extend wear life 3-7 times over standard OEM offering in recommended applications
- Reduces need for maintenance
- Increases machine availability

M T Michael Todd
& COMPANY, INC.

**Bucyrus
Blades™**

FlexPro™ snow plow blade system

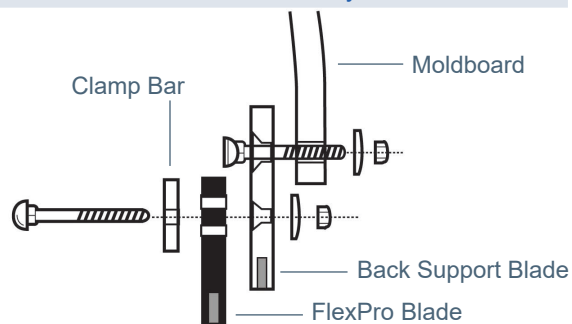
FlexPro components include

Blade
 Back support blade
 Clamp bar
 Curb runner

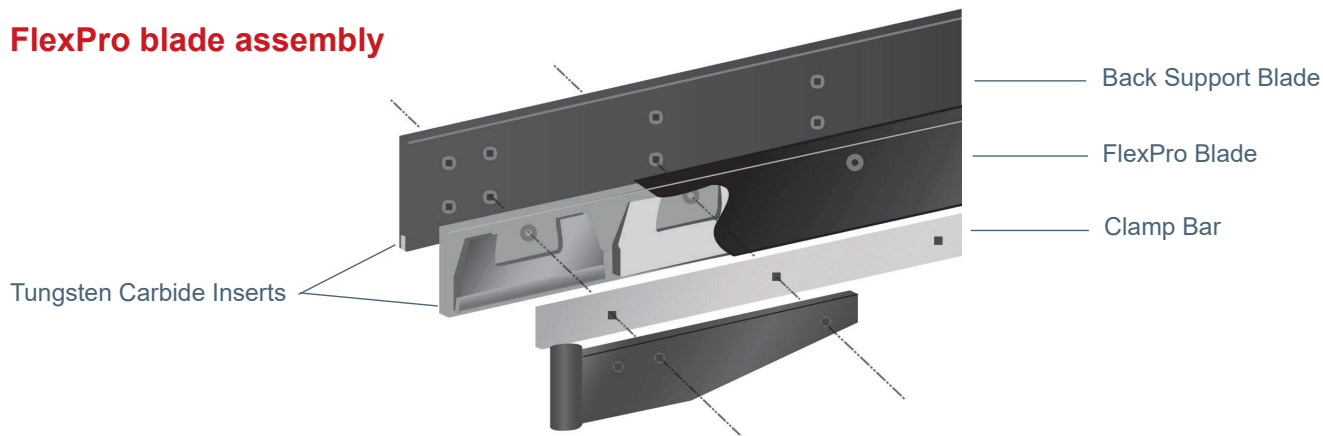
Plow bolt kit

76mm / 3in. Plow bolts (back support blade)
 101mm / 4in. Carriage bolts (blade)
 101mm / 4in. Plow bolts (curb runner)
 30qty. Lock nuts
 30qty. Conical washers

FlexPro blade assembly side view



FlexPro blade assembly



PART NUMBER	FLEXPRO COMPONENT	LENGTH		REQUIRED QUANTITY		
		MM	Inches	10'	11'	12'
4285622	Rubber Encased Blade	914	36	2	1	
4285623	Rubber Encased Blade	1219	48	1	2	3
4275209	Carbide Inserted Adapter Blade	914	36	2	1	
4275210	Carbide Inserted Adapter Blade	1219	48	1	2	3
4275196	Clamp Bar	914	36	2	1	
4275197	Clamp Bar	1219	48	1	2	3
4275202	Passenger Side Curb Bumper (right hand)	584	23	1	1	1
4275203	Driver Side Curb Bumper (left hand)	584	23	1	1	1
3221357	5/8 Lock nut	-	-	22	24	26
4429514	5/8 Washer	-	-	30	35	38
3603189	5/8X3 Plow Bolt (adapter board to plow)	-	-	12	13	14
3220058	5/8X4 Carriage Bolt (clamp bar rubber)	-	-	6	7	8
3603208	5/8X4 Plow Bolt (curb bumper)	-	-	4	4	4

OPTIONS

4279715	Adapter Blade - 1060 material	914	36	2	1	
4279714	Adapter Blade - 1060 material	1219	48	1	2	3